

DRONE HUNTER XD

DRONE DETECTOR

DRONE HUNTER XD rapidly detects and tracks unknown drones within a 360° coverage of up to 2 km.

Real-time identification of detected DJI drones, including serial number, model, frequency band, bearing, speed, altitude, and location.

2km

Detection Range

IP67

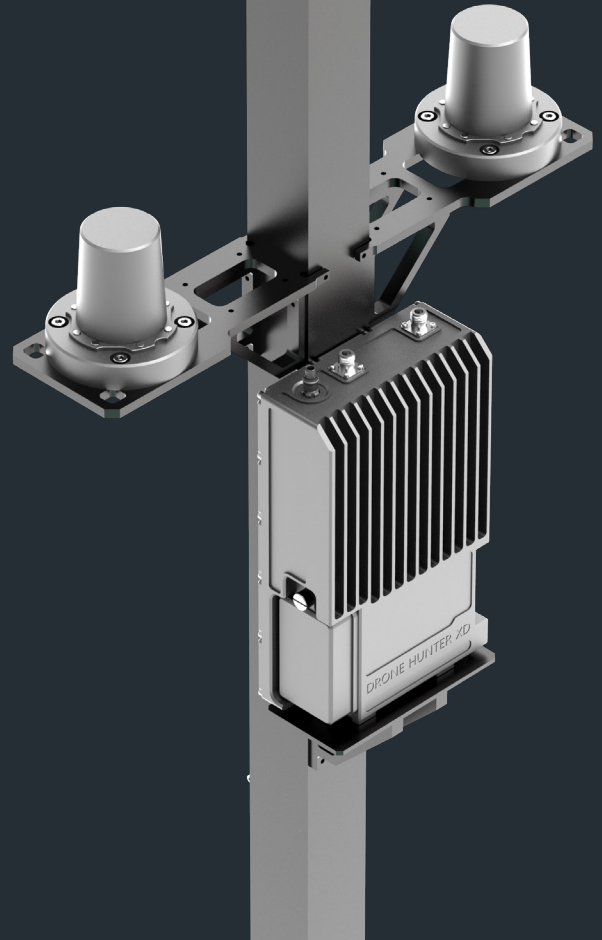
Ingress Protection

360°

Detection Angle

8kg

Weight



FEATURES : What Sets Us Apart



Drone Detection

360° detection and tracking of unidentified drones up to 2 km



Perfect Stealth and Safety

Passive sensors ensure no emissions and no location exposure



Wide Frequency Detection

Wideband detection from 400 MHz to 6 GHz for full coverage of drone approach paths



Protocol Decoding

Protocol decoding identifies the drone and its operator



Superior Cost Efficiency

Near-zero false alarms lower operating, labor, and maintenance costs



Ingress Protection

IP67-rated for full dust proofing and rain protection

DEPLOYMENT OPTIONS

The Drone Hunter XD can operate in tandem with the Drone Hunter XRS. It can be configured as a Portable Kit, Tactical Kit, or Vehicle-Mounted Kit, delivering optimal solutions tailored to specific threat scenarios.



Portable Kit



Tactical Kit



Vehicle-Mounted Kit

PASSIVE RF DETECTOR ENSURING TACTICAL STEALTH

- ① Tactical Stealth : No exposure to enemy EW/SIGINT.
- ② Operational Safety : Zero EMI to friendly networks and ATC systems.

UNIQUE COMPETITIVE EDGE : PROTOCOL DECODING

Category	Others (Conventional RF Scanning)	XD (Protocol Decoding)
Detection Mechanism	RF energy level measurement (noise-based)	Drone protocol decoding (unique signature identification)
False Detection Rate (Urban/Base)	High (Wi-fi, comms. signal interference)	Minimal (drone-only signals)
Identification Information	Unidentified RF signal presence	Location A, DJI Mavic 3, S/N: 1234...
Operator Location	Not possible	Available (real-time GPS tracking)

SPECIFICATIONS

Detection Type	RF protocol decoding & spectrum analysis
Frequency Range	400 MHz ~ 6 GHz
Protocol Support	DJI OcuSync (1, 2, 3, 4)
Detection Distance	2 km
Detection Range	360° (single or multi-node)
Weight	<8 kg (including 1 battery)
Environmental Standards	IP67

Specifications and design may vary by customer requirements and RF environment (e.g., jamming frequency band, range, and operating conditions).