



ARBITER

AI-BASED INTELLIGENT C-UAS SYSTEM

ARBITER is an AI-driven, multi-layered counter-drone system protecting critical facilities and personnel from drone threats. It provides actionable intelligence, not just alarms, through intelligent drone detection, tracking, and neutralization.

ABSOLUTE INNOVATION

Protocol decoding + AI cross-verification :
Near-zero false detection and false alarms

PERFECT STEALTH AND SAFETY

Passive sensors ensure no emissions and no location exposure

FLEXIBLE SCALABILITY

Scenario-based expansion from detection to kill chain

PROTOCOL DECODING

Drone protocol decoding enables model, serial number, and operator identification

SUPERIOR COST EFFICIENCY

AI-driven near-zero false alarms, reducing operational, labor, and maintenance costs

INGRESS PROTECTION

IP67-rated for full dust proofing and rain protection

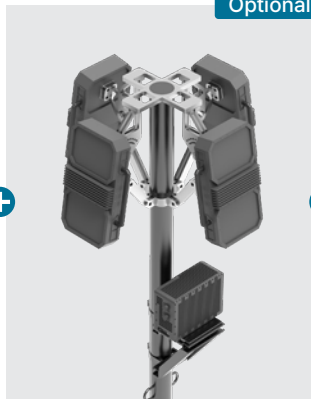
PRODUCT CONFIGURATION



DETECTION-I
Drone Hunter XD



IDENTIFICATION
AI Powered Camera



DETECTION-II
AESA Radar



NEUTRALIZATION
Drone Hunter FH

APPLICATION AREAS

Flexible deployment for military bases, airports, ports, critical sites, VIP protection, and border surveillance.

SPECIFICATIONS : DRONE HUNTER XD

Detection Type	RF-based drone protocol decoding and spectrum analysis
Detection Frequency Bands	400 MHz ~ 6 GHz
Supported Protocols	DJI OcuSync (1, 2, 3, 4)
Detection Range	2 km
Detection Coverage	360° (single or multi-nodes)
Weight	<8 kg (including one battery)
Environmental Standards	IP67

SPECIFICATIONS : AI POWERED CAMERA

Daytime EO VA Detection Range	>1 km (0.3 m drone size)
Daytime EO VA Identification Range	500 m to 700 m (0.3 m drone size)
Daytime EO VA Classification Range	>500 m
Night/Low-Light VA Detection Range	500 m (Drone light on)
	300 m to 400 m (Drone light off)

Specifications and design may vary by customer requirements and RF environment (e.g., jamming frequency band, range, and operating conditions).